

# B



## We are certified in compliance with ISO 9001:2000

Zander & Ingeström continually keeps up with and updates the latest international quality development. Our customers shall rest assured that the products of Z&I are always of the highest quality and secure class. If you have any questions about our products – contact our customer service, +46 (0)8 – 80 90 00 or email us at zander.ingestrom@zeta.se.

## Det är vi som hjälper dig välja rätt ångpanna

### Claes-göran Blomberg

Phone: +46 8 80 90 02  
Mobile: +46 70 347 48 24  
Fax: +48 8 80 90 73  
cgbl@zeta.se

### Lars-olof Larsson

Phone: +46 8 80 90 13  
Mobile: +46 70 694 80 56  
Fax: +46 8 80 90 73  
lars-olof.larsson@zeta.se

### Susanne Bröttling

Phone: +46 8 80 90 27  
Fax: +46 8 80 90 73  
susanne.brottling@zeta.se

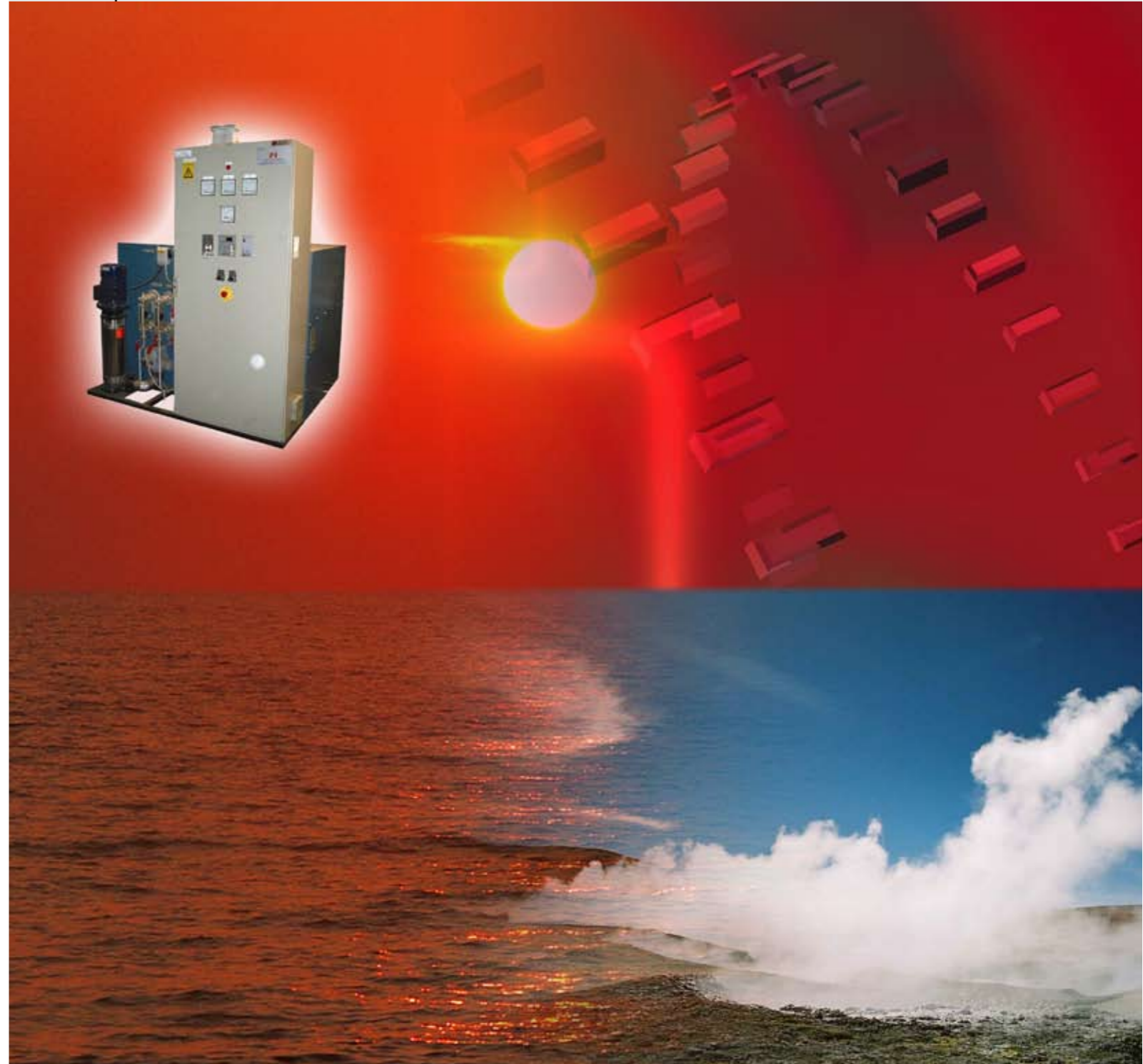
### Bertil Edman

Phone: +46 8 80 90 17  
Mobile: +46 70 694 80 57  
Fax: +46 8 80 90 73  
bertil.edman@zeta.se



## ZETA Electrical steam boilers

# High reliability of service with low maintenance needs



Zander & Ingeström AB,  
P. O. Box 502, SE-169 29 Solna, Sweden  
Phone: +46 8 80 90 00, Fax: +46 8 80 72 06  
zander.ingestrom@zeta.se, www.zeta.se



Juleg AB 2007

PUMPS  
BOILERS  
PLATTVÄRMEVÄXLARE

☎ 08-80 90 00



# We give our customers security in choice of products and system solutions.

Zander & Ingeström have had for a long time a leading position as supplier of larger and smaller electrical boiler plants for heat and steam production. During the years we have installed thousands of constructions ranging from a few KW to complete plants up to 150 MW.

## Design

The electrical steam boiler consists of a welded pressure vessel, supplied with connections for water, steam, security valves, and heating elements. The boiler vessel is insulated with mineral wool and covered with plate. Indicators for operation and monitoring are installed, and connected to the apparatus cabinet.

## Function

The heating of the water is done with electrical tube elements made of stainless steel placed in the boiler water tank. The tube elements are electrically connected in groups, which by relays, gradually turn the power on or switch it off, thus sustaining the necessary power.

The boiler regulates the power in accordance with the adjusted preset value for the outgoing steam pressure. Replenishment of water is done with a feed pump which is controlled by level guards submerged into the boiler vessel.

The vessel is manufactured and approved in accordance with valid pressure vessel standards and can also be supplied in ASME performance for an additional charge.

## Steam power plant:

Zander & Ingeström also offer delivery of feed water tanks, equipment for water treatment, chemical handling and air blower vessels or a complete fully working plant.

Simple installation

Simple to use

Simple to maintain

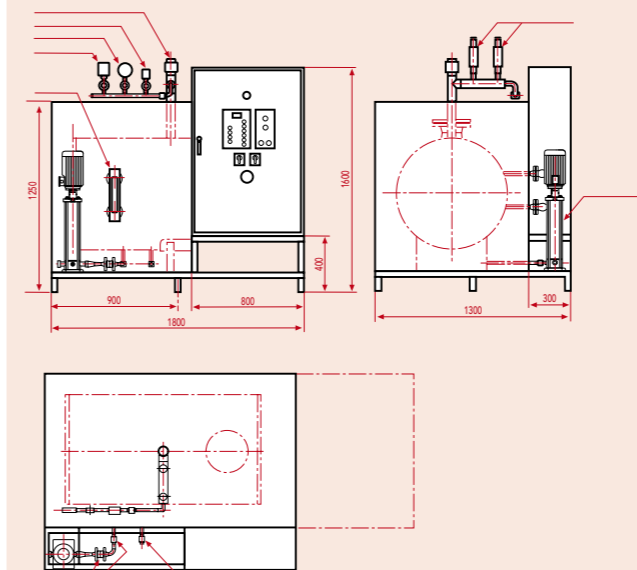
Low noise level

Long working life

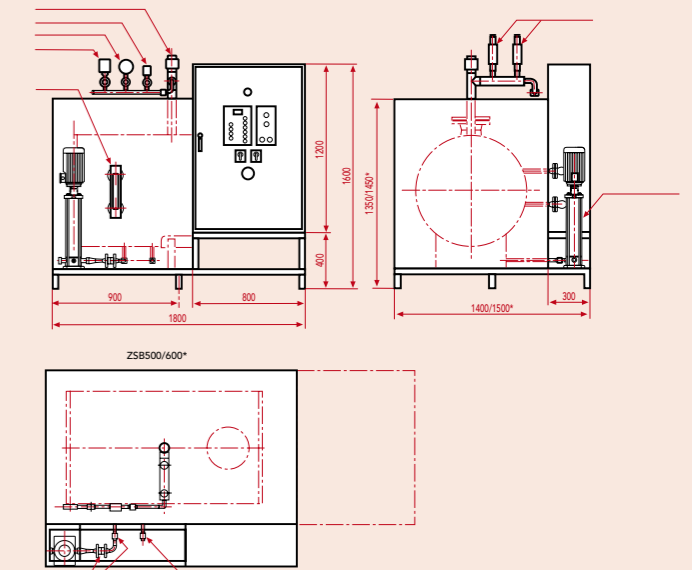
High efficiency



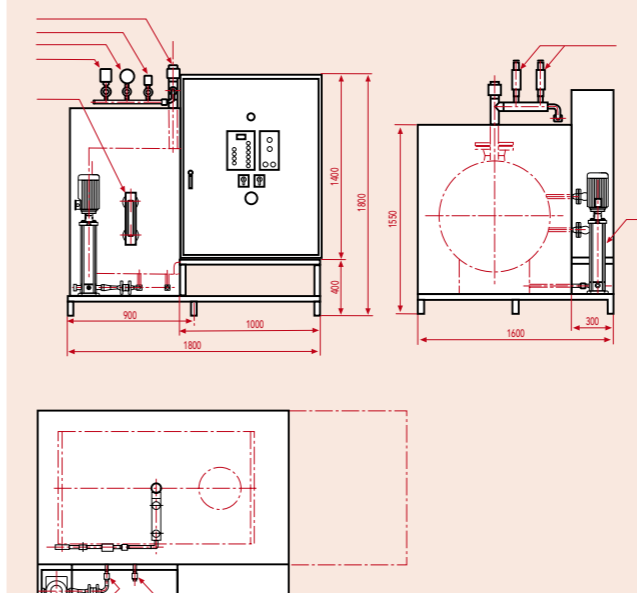
Dimensionsillustrationer för ZSB350



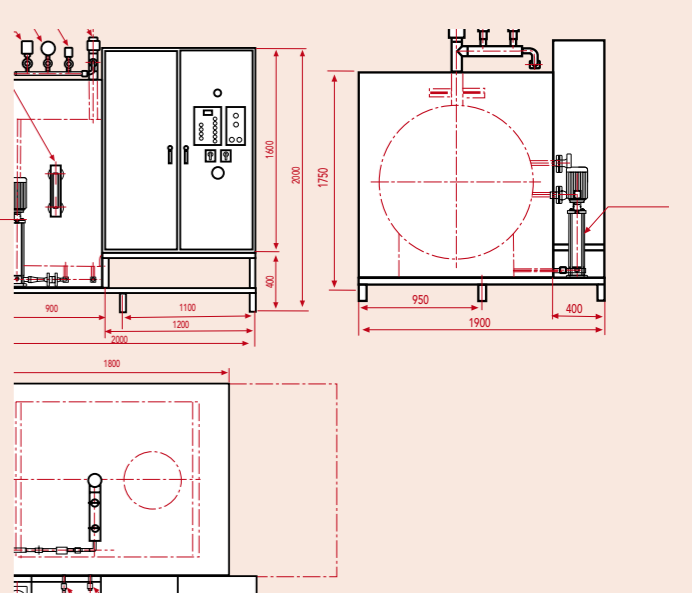
Dimensionsillustrationer för ZSB500/ZSB600\*



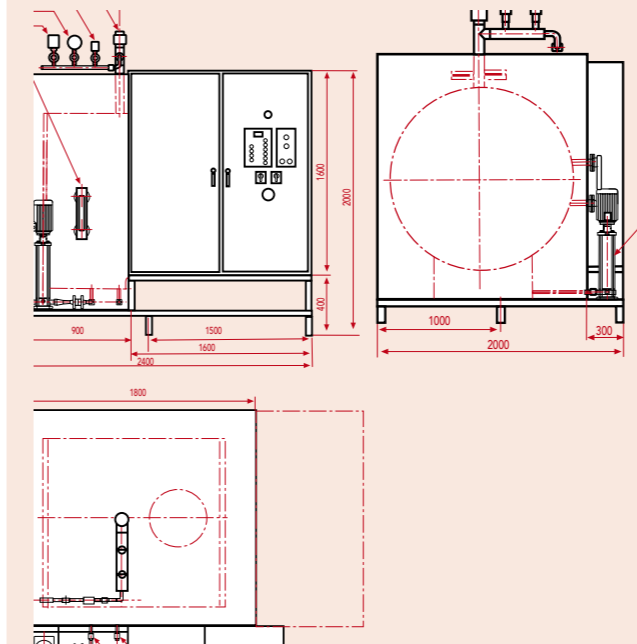
Dimensionsillustrationer för ZSB800



Dimensionsillustrationer för ZSB1200



Dimensionsillustrationer för ZSB1500



Flödesschema för ZSB350-1500

